

Good Neighbor

OUTDOOR LIGHTING

PRESENTED BY THE NEW ENGLAND LIGHT POLLUTION ADVISORY GROUP (NELPAG) AND SKY PUBLISHING CORP.

What is good lighting?

Good outdoor lights improve visibility, safety, and a sense of security, while minimizing energy use, operating costs, and ugly, dazzling glare.

Why should we be concerned?

Many outdoor lights are poorly designed or improperly aimed. Such lights are costly, wasteful, and distractingly glary. They harm the nighttime environment and neighbors' property values.

Glare Here's the basic rule of thumb: If you can see the bright bulb from a distance, it's a bad light. With a good light, you see lit ground instead of the dazzling bulb. "Glare" is light that beams directly from a bulb into your eye. It hampers the vision of pedestrians, cyclists, and drivers.

Light Trespass Poor outdoor lighting shines onto neighbors' properties and into bedroom windows, reducing privacy, hindering sleep, and giving the area an unattractive, trashy look.

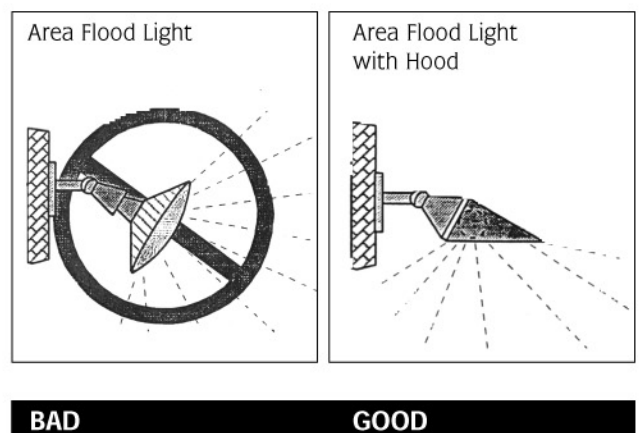
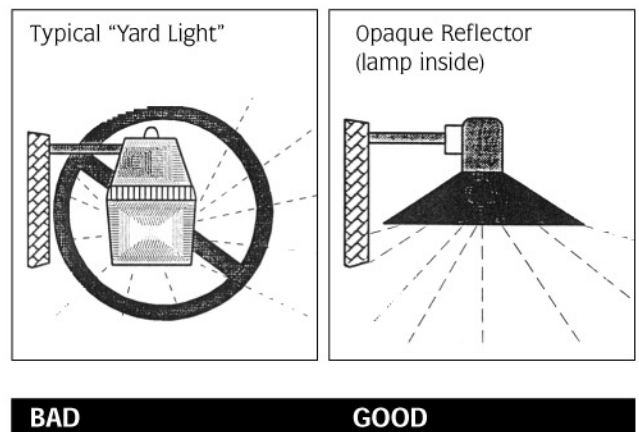
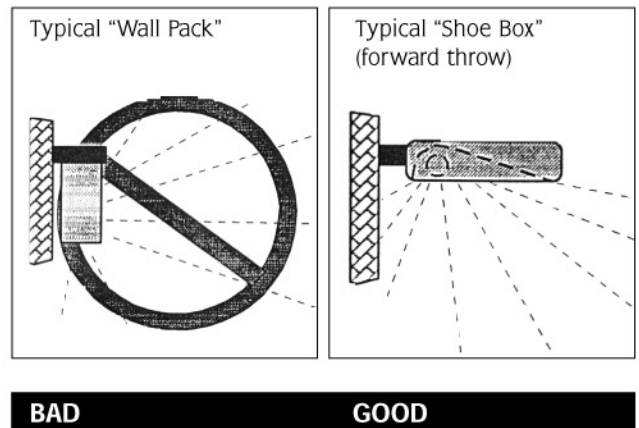
Energy Waste Many outdoor lights waste energy by spilling much of their light where it is not needed, such as up into the sky. This waste results in high operating costs. We waste over a billion dollars a year in the United States needlessly lighting the night sky.

Sky Glow Rays that beam uselessly above the horizon create murky skyglow – the "light pollution" that washes out our view of the stars.

How do I switch to good lighting?

1 Provide only enough light for the task at hand; don't over-light, and don't spill light off your property. Specifying enough light for a job is sometimes hard to do on paper. Remember that a full Moon can make an area quite bright. Some lighting systems illuminate areas 100 times more brightly than the

Some Good and Bad Light Fixtures



full Moon! More importantly, by choosing properly shielded lights, you can meet your needs without bothering neighbors or polluting the sky.

- 2** Aim lights down. Choose “full-cutoff shielded” fixtures that keep light from going uselessly up or sideways. Such fixtures produce minimum glare. They create a pleasant-looking environment. They increase safety because you see illuminated people, cars, and terrain, not dazzling bulbs.
- 3** Install fixtures carefully to maximize their effectiveness on the targeted area and minimize their impact elsewhere. Proper aiming of fixtures is crucial. Most are aimed too high. Try to install them at night, when you can see where all the rays actually go.

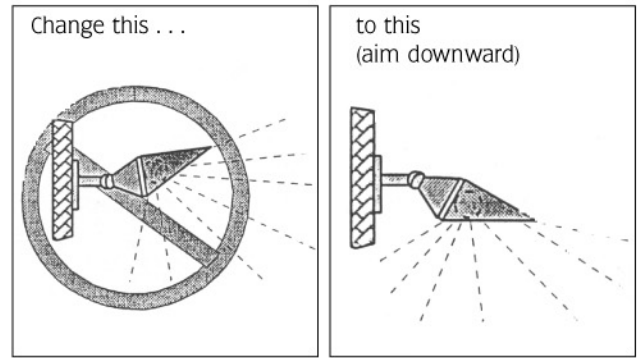
Properly aimed and shielded lights may cost more initially, but they save you far more in the long run. They can illuminate your target with a low-wattage bulb just as brightly as a wasteful light does with a high-wattage bulb.

- 4** Choose energy-efficient low-pressure sodium (LPS) or high-pressure sodium (HPS) lamps wherever yellowish light will do the job. Use less efficient white lights only where ideal color rendition is important.
- 5** Where feasible, put lights on timers to turn them off each night after they are no longer needed. Put home security lights on a motion-detector switch, which turns them on only when someone enters the area; this provides a great deterrent effect!

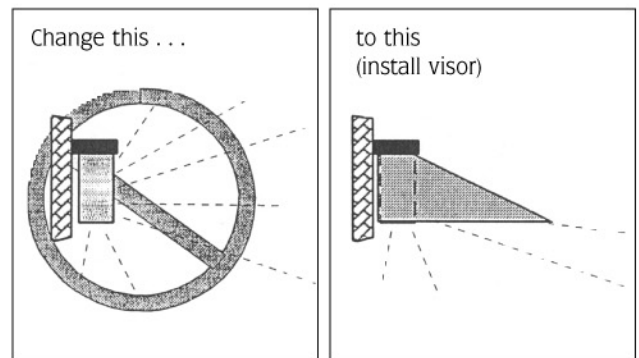
Replace bad lights with good lights.

You’ll save energy and money. You’ll be a good neighbor. And you’ll help preserve our view of the stars.

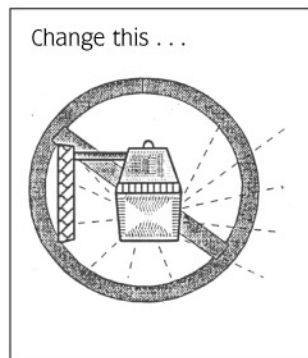
What You Can Do To Modify Existing Fixtures



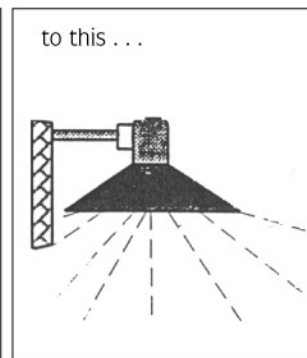
FLOOD LIGHT



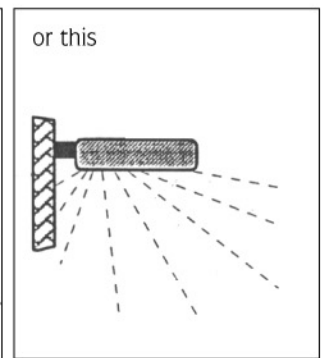
WALL PACK



YARD LIGHT



OPAQUE REFLECTOR



SHOE BOX

Presented by the

New England Light Pollution Advisory Group (NELPAG) (<http://cfa-www.harvard.edu/cfa/ps/nelpag.html>) and **Sky Publishing Corp.** (<http://www.skypub.com/>).

NELPAG and Sky Publishing Corp. support the **International Dark-Sky Association (IDA)** (<http://www.darksky.org/>).

We urge all individuals and groups interested in the problems of light pollution and obtrusive lighting to support the IDA and subscribe to its newsletter. IDA membership costs \$30 per year; send your check to IDA, 3225 N. First Avenue, Tucson, AZ 85719, U.S.A.



Sky Publishing Corp.
49 Bay State Road
Cambridge, MA 02138
www.skypub.com